



HESTORE.HU

elektronikai alkatrész áruház

EN: This Datasheet is presented by the manufacturer.

Please visit our website for pricing and availability at www.hestore.hu.

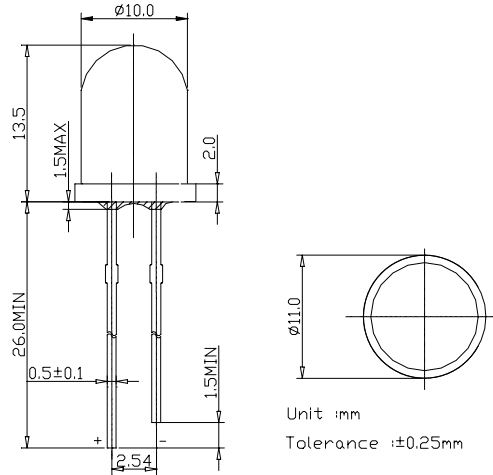
■Features

- High Luminous Output
- 10mm Standard Directivity
- Superior Weather-resistance
- White Diffused Type
- RoHS compliant

■Applications

- Automotive Lighting
- Commercial Outdoor Signs

■Outline Dimension



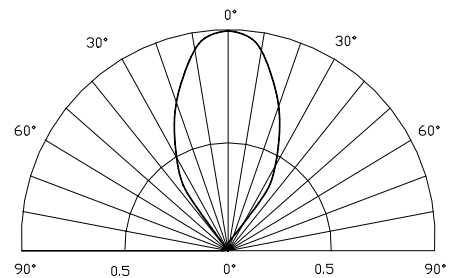
■Absolute Maximum Rating

($T_a = 25^\circ\text{C}$)

Item	Symbol	Value	Unit
DC Forward Current	I_F	50	mA
Pulse Forward Current*	I_{FP}	150	mA
Reverse Voltage	V_R	5	V
Power Dissipation	P_D	200	mW
Operating Temperature	T_{opr}	$-30 \sim +85$	$^\circ\text{C}$
Storage Temperature	T_{stg}	$-30 \sim +100$	$^\circ\text{C}$
Lead Soldering Temperature	T_{sol}	$260^\circ\text{C} / 5\text{sec}$	-

*Pulse width Max.10ms Duty ratio max 1/10

■Directivity



■Electrical -Optical Characteristics

($T_a = 25^\circ\text{C}$)

Item	Symbol	Condition	Min.	Typ.	Max.	Unit
DC Forward Voltage	V_F	$I_F = 20\text{mA}$	1.8	2.0	2.4	V
DC Reverse Current	I_R	$V_R = 5\text{V}$	-	-	10	μA
Dom. Wavelength	λ_D	$I_F = 20\text{mA}$	620	625	630	nm
Luminous Intensity	I_v	$I_F = 20\text{mA}$	1120	1560	-	mcd
50% Power Angle	$2\theta_{1/2}$	$I_F = 20\text{mA}$	-	60	-	deg

LED & Application Technologies