



**HESTORE.HU**

elektronikai alkatrész áruház

**EN:** This Datasheet is presented by the manufacturer.

Please visit our website for pricing and availability at [www.hestore.hu](http://www.hestore.hu).

RoHS

# Specification

Customer Name : \_\_\_\_\_

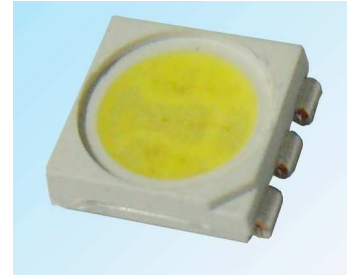
Customer P/N : OF-SMD5060WW \_\_\_\_\_

Factory P/N : \_\_\_\_\_

Sending Date : \_\_\_\_\_

## Features

- PLCC-6 Package.
- Extremely wide viewing angle.
- Suitable for all SMT assembly and solder process.
- Available on tape and reel.
- Moisture sensitivity level: Level 4.
- Package: 1000pcs/reel.
- RoHS compliant.



## Description

The White LED which was fabricated using a blue chip and the phosphor

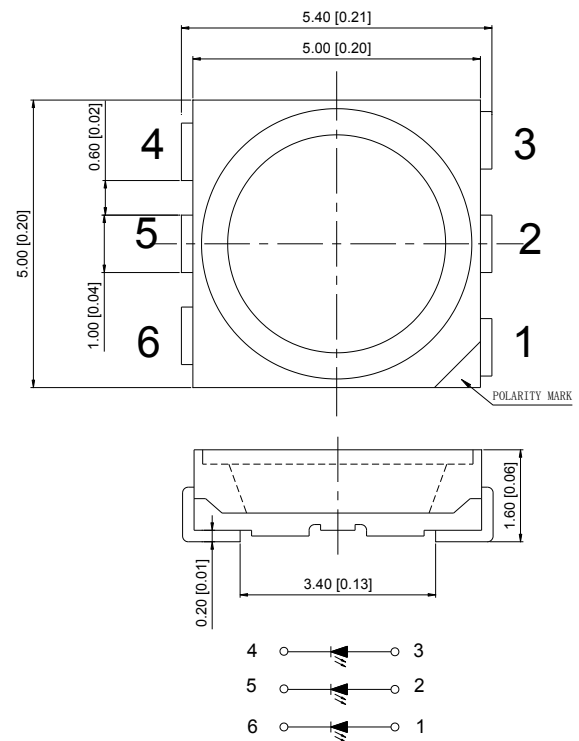


**ATTENTION**  
OBSERVE PRECAUTIONS  
FOR HANDLING  
ELECTROSTATIC  
DISCHARGE  
SENSITIVE  
DEVICES

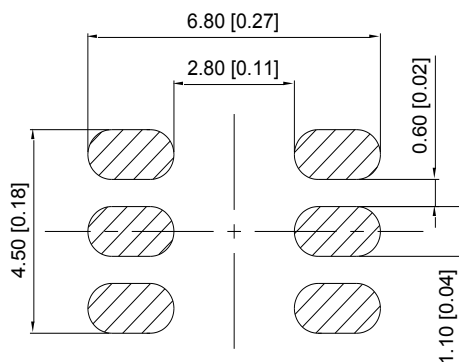
## Applications

- Optical indicator
- Indoor display
- Automotive lighting
- Backlight for LCD, switch and Symbol, display
- Tubular light application
- General use

## Package Dimensions



## Recommended Soldering Pattern



### Notes:

1. All dimension units are millimeters.
2. All dimension tolerance is  $\pm 0.15$  mm unless otherwise noted.

## Selection Guide

Part No.	Dice	Lens Type	Luminous intensity(mcd)		Luminous flux(lm) @ 20mA*3		Viewing Angle
			Min.	Typ.	Min	Typ	2θ1/2
OF-SMD5060WW	WHITE (InGaN )	Yellow Diffused	5500	6000	18	20	120°

Note:

1. θ1/2 is the angle from optical centerline where the luminous intensity is 1/2 the optical centerline value.
2. the above luminous intensity measurement allowance tolerance ±10%.

## Electrical / Optical Characteristics at Ta=25°C

Parameter	Symbol	Min.	Typ.	Max.	Units	Test Conditions
Forward Voltage	V <sub>F</sub>	2.8	--	3.4	V	I <sub>F</sub> =20mA *3
Reverse Current	I <sub>R</sub>	--	--	10	μA	V <sub>R</sub> = 5V
Color Coordinates	X	--	0.43	--	--	I <sub>F</sub> =20mA *3
	Y	--	0.42	--	--	I <sub>F</sub> =20mA*3
Color Temperature	T <sub>c</sub>	--	3200	--	K	I <sub>F</sub> =20mA *3
Color Rendering Index	CRI	58	--	--	Ra	I <sub>F</sub> =20mA*3

## Absolute Maximum Ratings at Ta=25°C

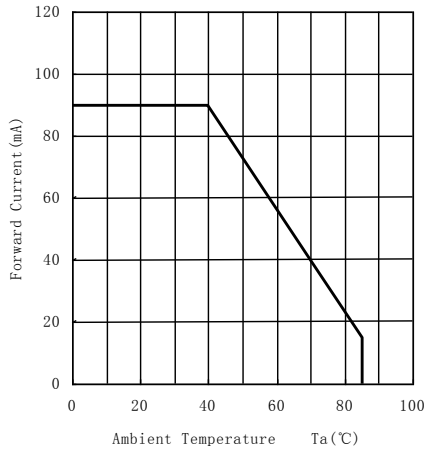
Parameter	Symbol	Rating (	Units
Power Dissipation	P <sub>d</sub>	315	mW
Forward Current	I <sub>F</sub>	90	mA
Peak Forward Current [1]	I <sub>FP</sub>	300	mA
Reverse Voltage	V <sub>R</sub>	5	V
Electrostatic Discharge (HBM)	ESD	1000	V
Operating Temperature	Topr	-40 ~ +85	°C
Storage Temperature	Tstg	-40 ~ +100	°C

Note:

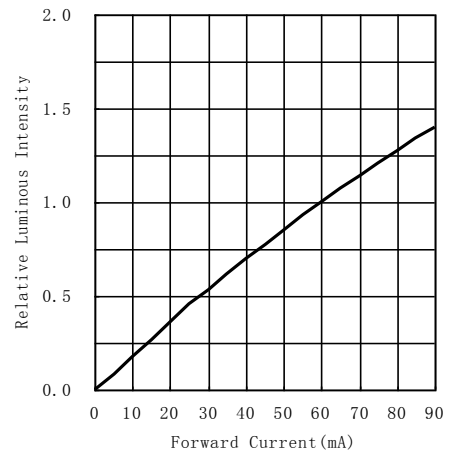
1. 1/10 Duty cycle, 0.1ms pulse width.
2. The above forward voltage measurement allowance tolerance is ±0.1V.
3. The above color coordinates measurement allowance tolerance is ±0.003.

## Typical optical characteristics curves

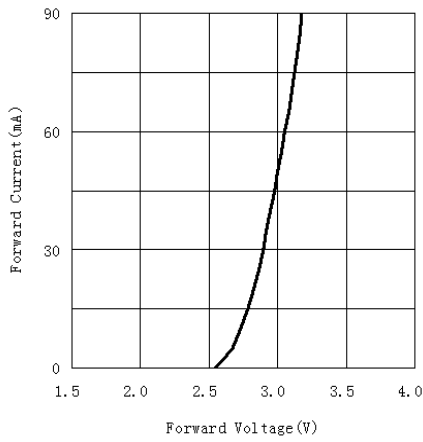
Ambient Temperature vs. Forward Current



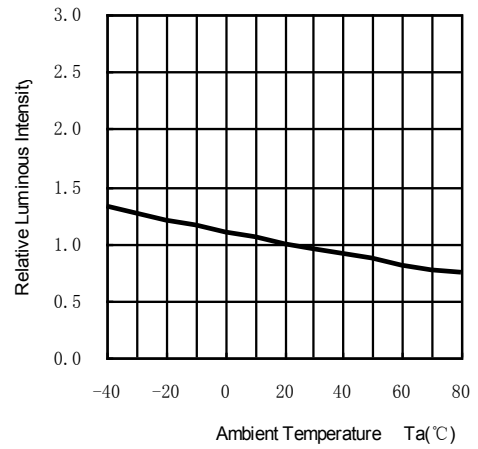
Forward Current VS. Relative Intensity



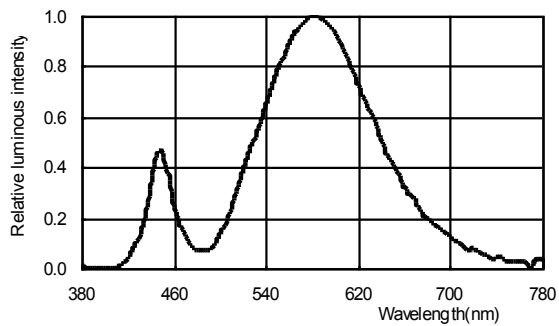
Forward Voltage VS. Forward Current



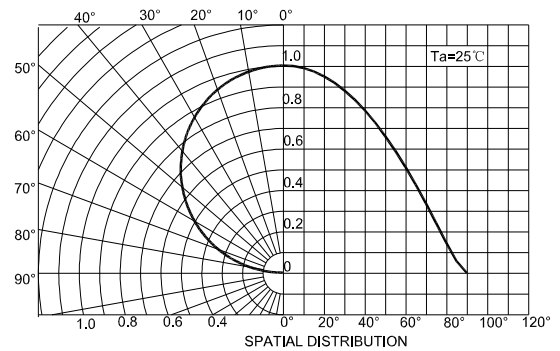
Ambient Temperature VS. Relative Intensity

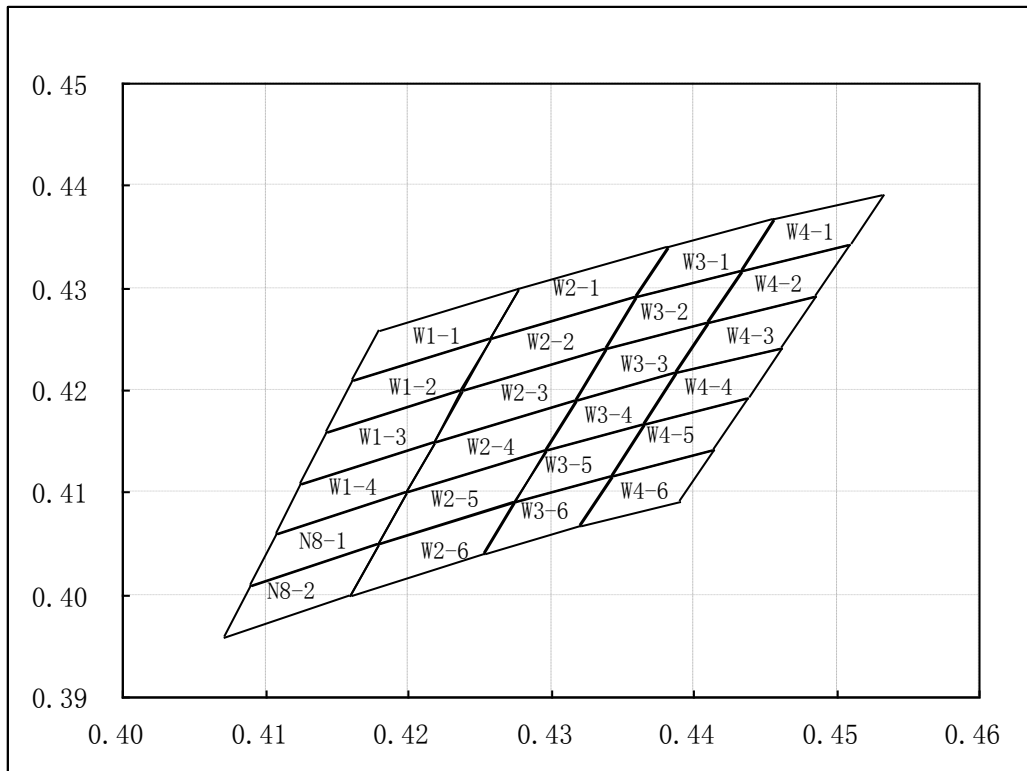


Relative spectral emission



Radiation diagram





W1-1 3350-3500K				W1-2 3350-3500K				W1-3 3350-3500K						
x	0.4179	0.4277	0.4257	0.4161	x	0.4161	0.4257	0.4237	0.4143	x	0.4143	0.4237	0.4218	0.4125
y	0.4259	0.4300	0.4250	0.4209	y	0.4209	0.4250	0.4200	0.4159	y	0.4159	0.4200	0.4150	0.4109
W1-4 3350-3500K				N8-1 3350-3500K				N8-2 3350-3500K						
x	0.4125	0.4218	0.4198	0.4107	x	0.4107	0.4198	0.4179	0.4089	x	0.4089	0.4179	0.4159	0.4071
y	0.4109	0.4150	0.4100	0.4059	y	0.4059	0.4100	0.4050	0.4009	y	0.4009	0.4050	0.4000	0.3959
W2-1 3200-3350K				W2-2 3200-3350K				W2-3 3200-3350K						
x	0.4277	0.4381	0.4360	0.4257	x	0.4257	0.4360	0.4339	0.4237	x	0.4237	0.4339	0.4317	0.4218
y	0.4300	0.4341	0.4291	0.4250	y	0.4250	0.4291	0.4241	0.4200	y	0.4200	0.4241	0.4191	0.4150
W2-4 3200-3350K				W2-5 3200-3350K				W2-6 3200-3350K						
x	0.4218	0.4317	0.4296	0.4198	x	0.4198	0.4296	0.4275	0.4179	x	0.4179	0.4275	0.4253	0.4159
y	0.4150	0.4191	0.4141	0.4100	y	0.4100	0.4141	0.4091	0.4050	y	0.4050	0.4091	0.4041	0.4000
W3-1 3100-3200K				W3-2 3100-3200K				W3-3 3100-3200K						
x	0.4381	0.4456	0.4433	0.4360	x	0.4360	0.4433	0.4410	0.4339	x	0.4339	0.4410	0.4388	0.4317
y	0.4341	0.4367	0.4317	0.4291	y	0.4291	0.4317	0.4267	0.4241	y	0.4241	0.4267	0.4217	0.4191
W3-4 3100-3200K				W3-5 3100-3200K				W3-6 3100-3200K						
x	0.4317	0.4388	0.4365	0.4296	x	0.4296	0.4365	0.4342	0.4275	x	0.4275	0.4342	0.4320	0.4253
y	0.4191	0.4217	0.4167	0.4141	y	0.4141	0.4167	0.4117	0.4091	y	0.4091	0.4117	0.4067	0.4041
W4-1 3000-3100K				W4-2 3000-3100K				W4-3 3000-3100K						
x	0.4456	0.4533	0.4509	0.4433	x	0.4433	0.4509	0.4486	0.4410	x	0.4410	0.4486	0.4462	0.4388
y	0.4367	0.4392	0.4342	0.4317	y	0.4317	0.4342	0.4292	0.4267	y	0.4267	0.4292	0.4242	0.4217
W4-4 3000-3100K				W4-5 3000-3100K				W4-6 3000-3100K						
x	0.4388	0.4462	0.4438	0.4365	x	0.4365	0.4438	0.4414	0.4342	x	0.4342	0.4414	0.4390	0.4320
y	0.4217	0.4242	0.4192	0.4167	y	0.4167	0.4192	0.4142	0.4117	y	0.4117	0.4142	0.4092	0.4067

## Reliability Test Items And Conditions

Test Items	Ref.Standard	Test Condition	Time	Quantity	Ac/Re
Reflow	JESD22-B106	Temp:260°C max T=10 sec	3 times.	22Pcs.	0/1
Temperature Cycle	JESD22-A104	100°C±5°C 30 min. ↑↓5 min -40°C±5°C 30 min.	100 Cycles	22Pcs.	0/1
High Temperature Storage	JESD22-A103	Temp:100°C±5°C	1000Hrs.	22Pcs.	0/1
Low Temperature Storage	JESD22-A119	Temp:-40°C±5°C	1000Hrs.	22Pcs.	0/1
Life Test	JESD22-A108	Ta=25°C±5°C IF=60mA	1000Hrs.	22Pcs.	0/1
High Temperature High Humidity Life Test	JESD22-A101	85°C±5°C/ 85%RH IF=15mA	1000Hrs.	22Pcs.	0/1

## Criteria For Judging Damage

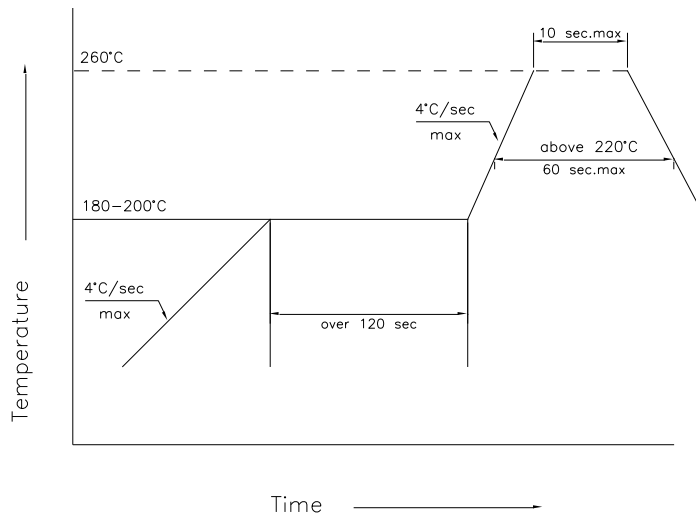
Test Items	Symbol	Test Condition	Criteria For Judgement	
			Min.	Max.
Forward Voltage	VF	IF=60mA	--	U.S.L*)x1.1
Reverse Current	IR	VR = 5V	--	U.S.L*)x2.0
<b>Luminous Flux</b>	Im	IF=60mA	L.S.L*)x0.7	--

U.S.L: Upper standard level

L.S.L: Lower standard level

\*The technical information shown in the data sheets are limited to the typical characteristics and circuit examples of the referenced products. It does not constitute the warranting of industrial property nor the granting of any license.

## SMT Reflow Soldering Instructions SMT



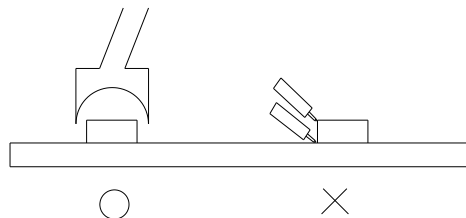
- 1.Reflow soldering should not be done more than two times.
- 2.When soldering , do not put stress on the LEDs during heating

### Soldering iron

- 1.When hand soldering, keep the temperature of iron below less 300°C less than 3 seconds
- 2.The hand solder should be done only one times

### Repairing

Repair should not be done after the LEDs have been soldered. When repairing is unavoidable, a double-head soldering iron should be used (as below figure). It should be confirmed in advance whether the characteristics of LEDs will or will not be damaged by repairing.



### Cautions

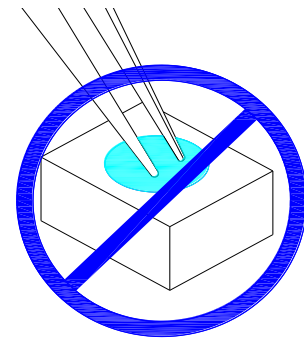
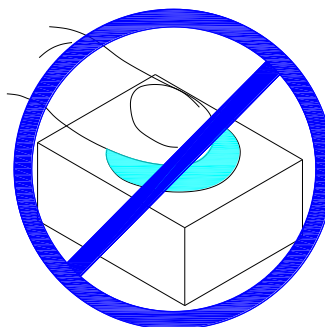
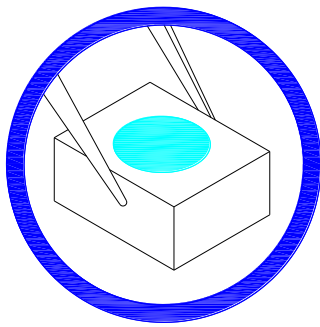
The encapsulated material of the LEDs is silicone. Therefore the LEDs have a soft surface on the top of package. The pressure to the top surface will be influence to the reliability of the LEDs. Precautions should be taken to avoid the strong pressure on the encapsulated part. So when use the picking up nozzle, the pressure on the silicone resin should be proper.



## Handling Precautions

Compare to epoxy encapsulant that is hard and brittle, silicone is softer and flexible. Although its characteristic significantly reduces thermal stress, it is more prone to damage by external mechanical force. As a result, Special handling precautions must be observed during assembling using silicone encapsulated LED products, Failure to comply might leads to damage and premature failure of the LED.

1. Handle the component along the side surface by using forceps or appropriate tools; do not directly touch or Handle the silicone lens surface, it may damage the internal circuitry.

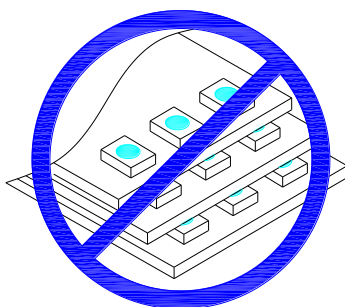


2. The outer diameter of the SMD pickup nozzle should not exceed the size of the LED to prevent air leaks. The inner diameter of the nozzle should be as large as possible. A pliable material is suggested for the nozzle tip to avoid scratching or damaging the LED surface during pickup. The dimensions of the component must be accurately programmed in the pick-and-place machine to insure precise pickup and avoid damage during production.



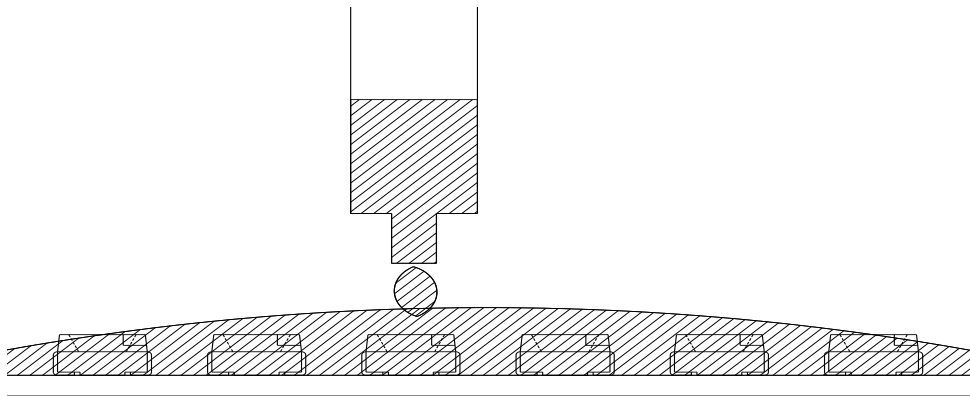
3. Do not stack together assembled PCBs containing LEDs. Impact may scratch the silicone lens or damage the internal circuitry

4. Not suitable to operate in acidic environment, PH<7



5.LED operating environment and sulfur element composition cannot be over 100PPM in the LED mating usage material.

6.When we need to use external glue for LED application products, please make sure that the external gluematches the LED packaging glue. Additionally ,as most of LED packaging glue is silica gel, and it has strong Oxygen permeability as well as strong moisture permeability; in order to prevent external material from getting into the inside of LED, which may cause the malfunction of LED, the single content of Bromine element is required to be less than 900PPM,the single content of Chlorine element is required to be less than 900PPM,the total content of Bromine element and Chlorine element in the external glue of the application products is required to be less than 1500PPM



7.Other points for attention, please refer to our LED user manual.

RoHS

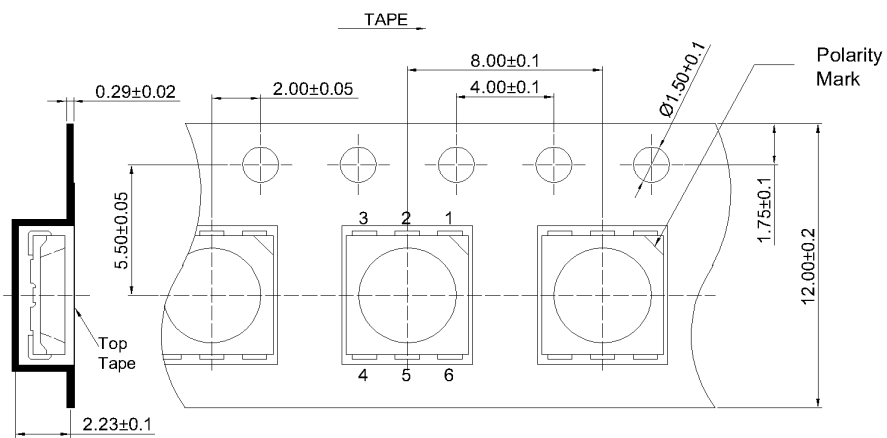
### Label

IV: Luminous intensity rank  
VF: Forward voltage rank  
X/Y: Coordinate rank  
TC: Color temperature

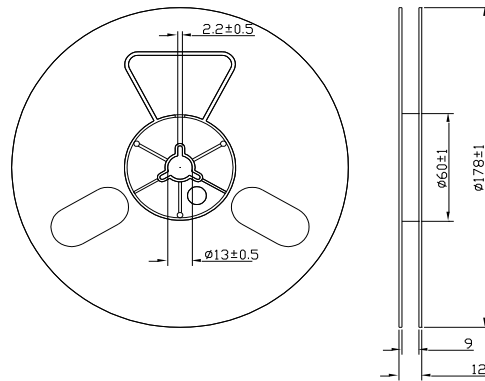
Part No: XXXXXXXXXXXXXXXXXXXXX  
IV: VF: X/Y:  
Quantity: TC:  
Sealing date: XXXXXXXXXXXXXXXXXXXXX



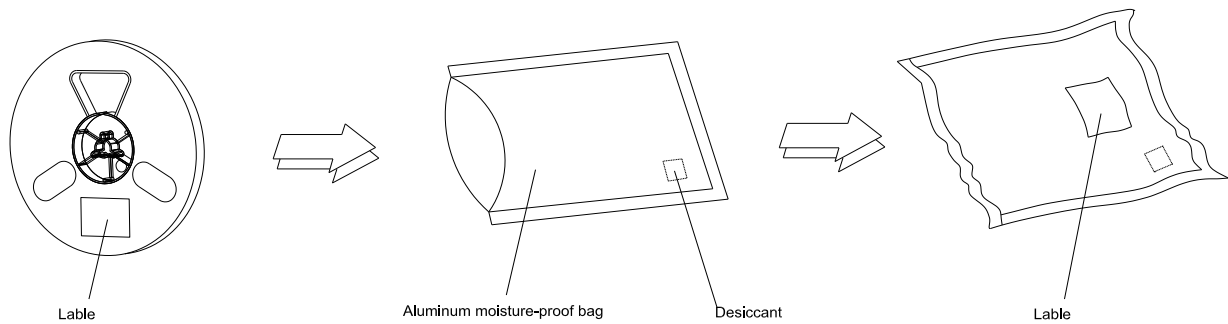
### Tape Specifications (Units : mm)



### Reel Dimensions



### Moisture Resistant Packaging



Note: The tolerances unless mentioned is  $\pm 0.1$ mm, Unit: mm