

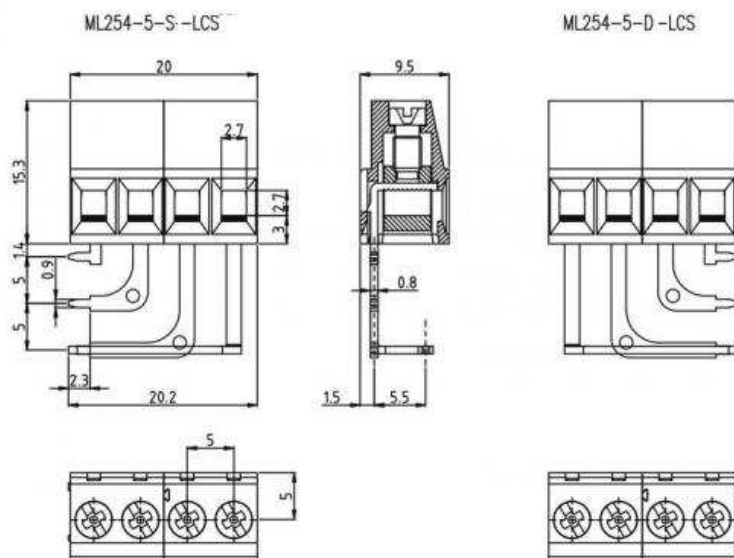
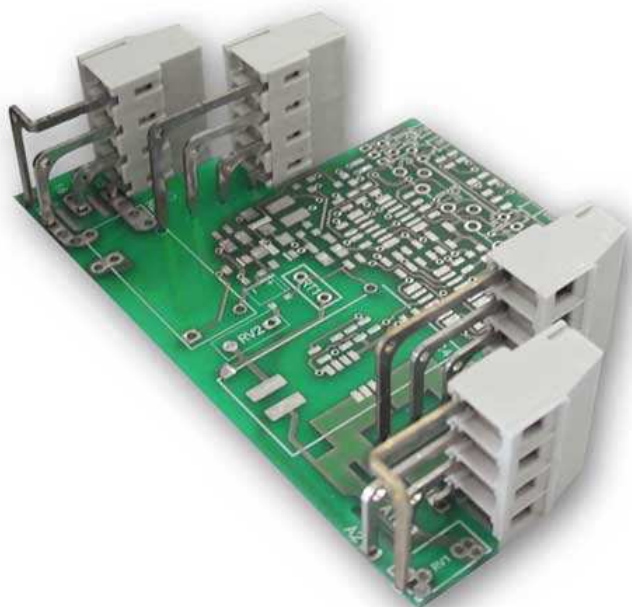


HESTORE.HU

elektronikai alkatrész áruház

EN: This Datasheet is presented by the manufacturer.

Please visit our website for pricing and availability at www.hestore.hu.



GENERAL INFORMATION

pitch:	5 mm
housing height:	15,30 mm
housing depth:	9.5 mm
dimensional class:	medium
wire section:	2.5 mm ² / 14 AWG
clamp opening size:	2.7 × 2.7 mm
wire stripping:	max 7 mm
operating temperature:	-40°C ÷ +130°C

ELECTRICAL CHARACTERISTICS

current:	16A
voltage:	250V
test voltage:	2 kVrms/60s

MECHANICAL CHARACTERISTICS

screw:	M3
max. torque:	0.5 Nm / 4.5 in.lbs

APPROVALS DATA



EN 60998-1

current:	16A
voltage:	250V
wire section:	2,5mm ²
torque:	0,5Nm
FILE:	CA02.01614



-
-
-
-
-



UL 1059
15A factory / 15A field
300V
14÷30AWG
4,5Lb-in
E178356

MATERIALS

housing:	PA - UL 94 V0
screw:	Galvanized steel
clamp/spring:	Nickeled copper alloy
terminal:	Tin-plated copper alloy

AVAILABLE COLOURS



other colours: upon request

poles	P/N	pcs/pack	W [Kg]*	W [Kg]*
4	ML254-5-D-LCS	N/A	N/A	N/A