



HESTORE.HU

elektronikai alkatrész áruház

EN: This Datasheet is presented by the manufacturer.

Please visit our website for pricing and availability at www.hestore.hu.

SLIDE SWITCH FOR P.C.B. ESP-SPDT SERIES



ESP10XX



ESP20XX



ESP30XX



ESP40XX

■ FEATURES

- The distance of 2 adjacent pins or stacked devices is 2.54 mm pitch
- All plastics are UL 94V-O grade fire retardant
- Low contact resistance and long mechanical life, suitable for signal switching and communication equipments.

■ APPLICATIONS

- Measuring point changeover switches
- Service switch
- Controls for consumer devices

■ SPECIFICATIONS

◆ SPDT TYPE (ESP10,20,30,40 Series)

1. ELECTRICAL CHARACTERISTICS

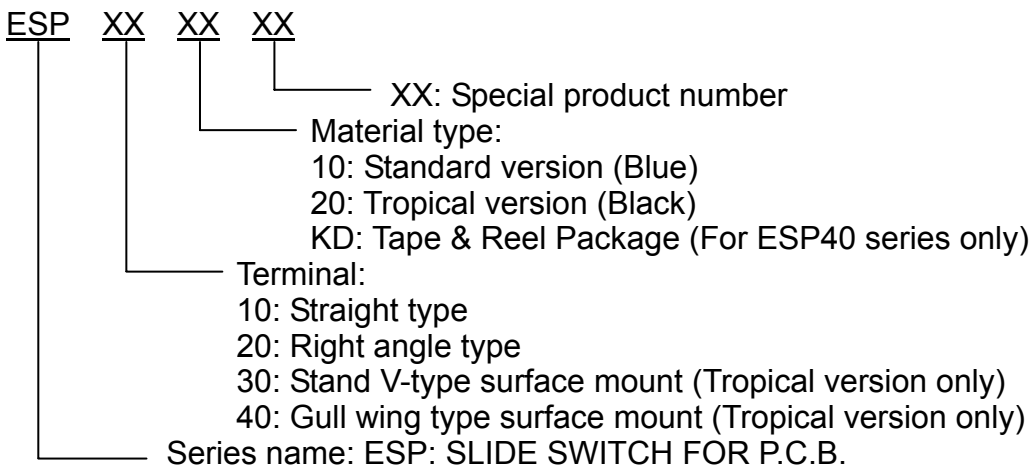
● Contact rating	0.2A, 24VDC; 0.5A, 12VDC
● Minimum contact rating	1mA, 10mV
● Contact resistance	Initial: 50mΩ Max.
	After life test: 100mΩ Max.
● Dielectric strength	2mA, 500VDC for 60sec.
● Capacitance	1.5pF Max.
● Insulation resistance	10000MΩ Min. under 500VDC
● Mechanical life	5000 operations



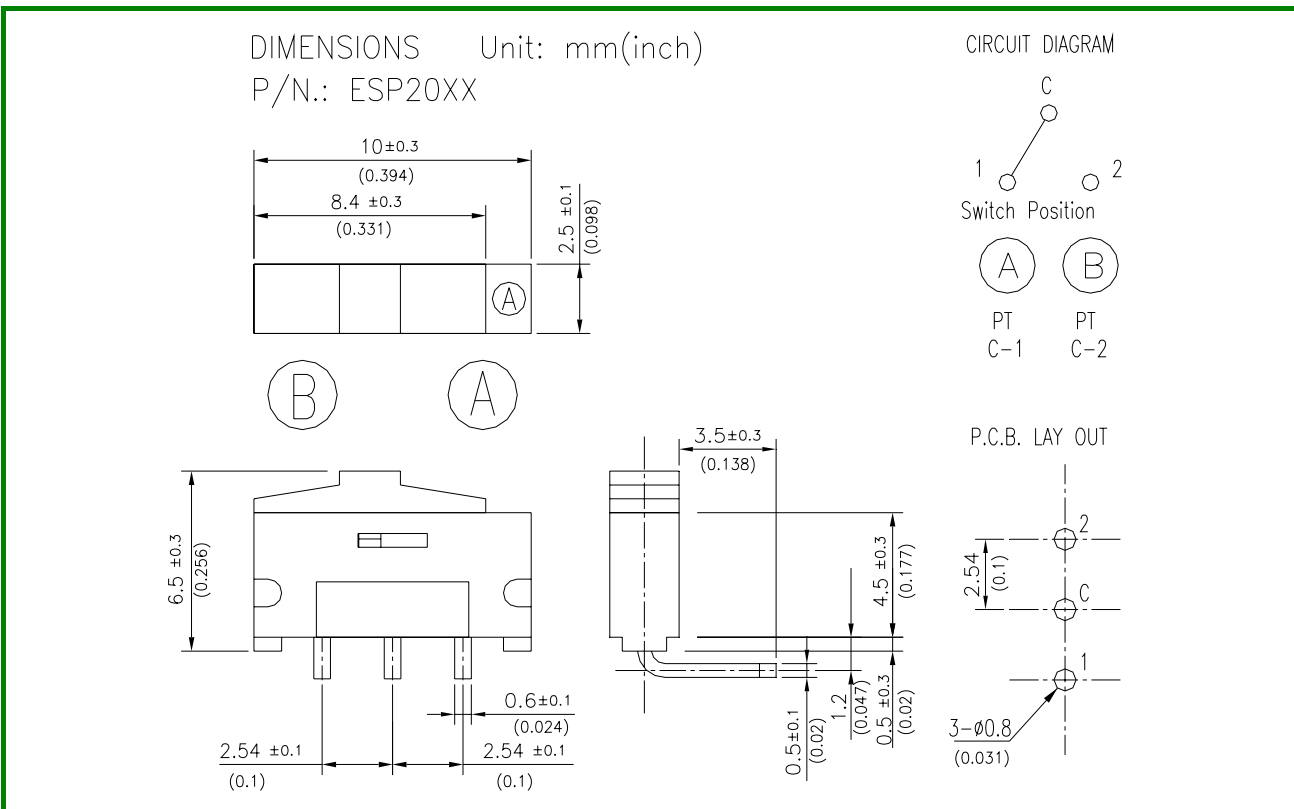
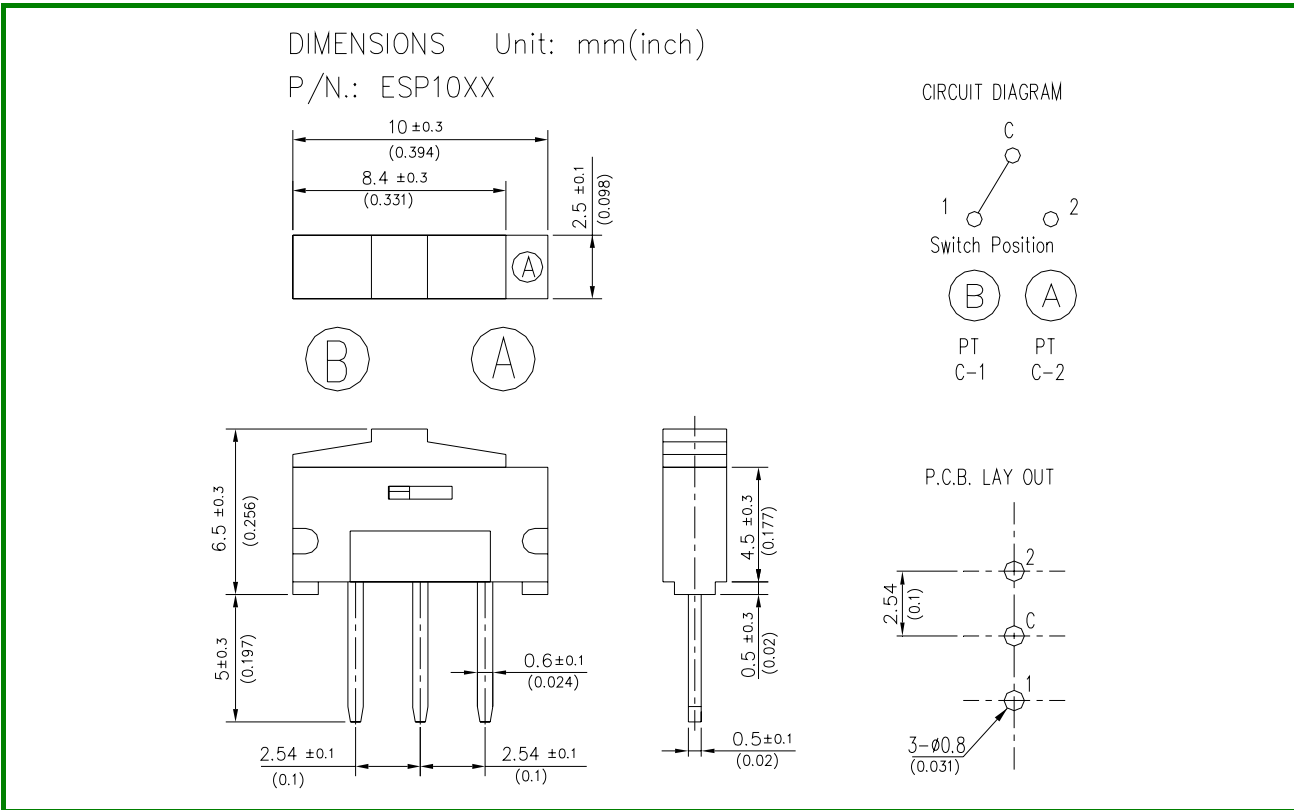
2. GENERAL CHARACTERISTICS

● Temperature range	operating	-25°C ~ +70°C
	storage	-40°C ~ +85°C
● Solder temperature		230°C for 3 sec.
● Vibration		normal operation at 10Hz to 60Hz, 1.5mm movement
● Salt spray		35°C, 5% for 24hours
● Reflow soldering heat for SMT type (reference)		

■ PART NUMBERING SYSTEM

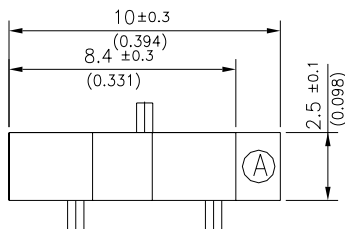


■ DIMENSIONS AND CIRCUITRY

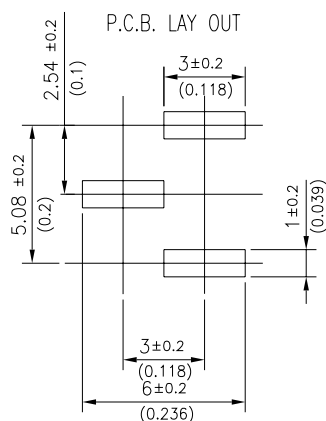
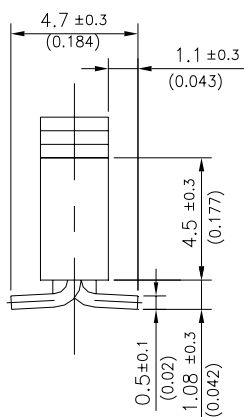
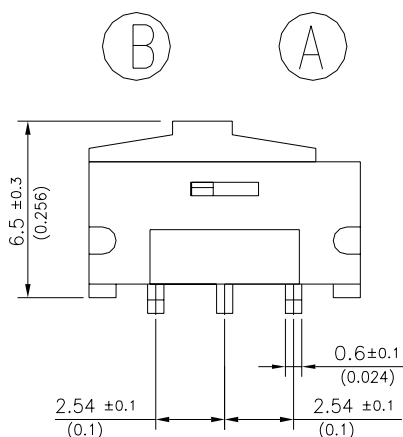
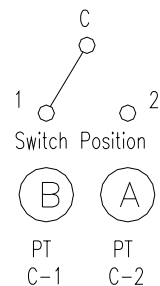


DIMENSIONS Unit: mm(inch)

P/N.: ESP30XX

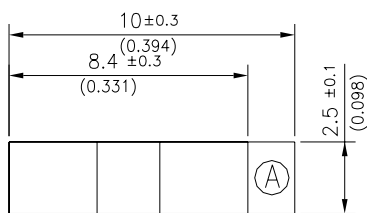


CIRCUIT DIAGRAM



DIMENSIONS Unit: mm(inch)

P/N.: ESP40XX



CIRCUIT DIAGRAM

