



HESTORE.HU

elektronikai alkatrész áruház

EN: This Datasheet is presented by the manufacturer.

Please visit our website for pricing and availability at www.hestore.hu.



SMD 5060 LED SERIES

OF-SMD5060RGB RED/GREEN/BLUE



ATTENTION
OBSERVE PRECAUTIONS
FOR HANDLING
ELECTROSTATIC
DISCHARGE
SENSITIVE
DEVICES



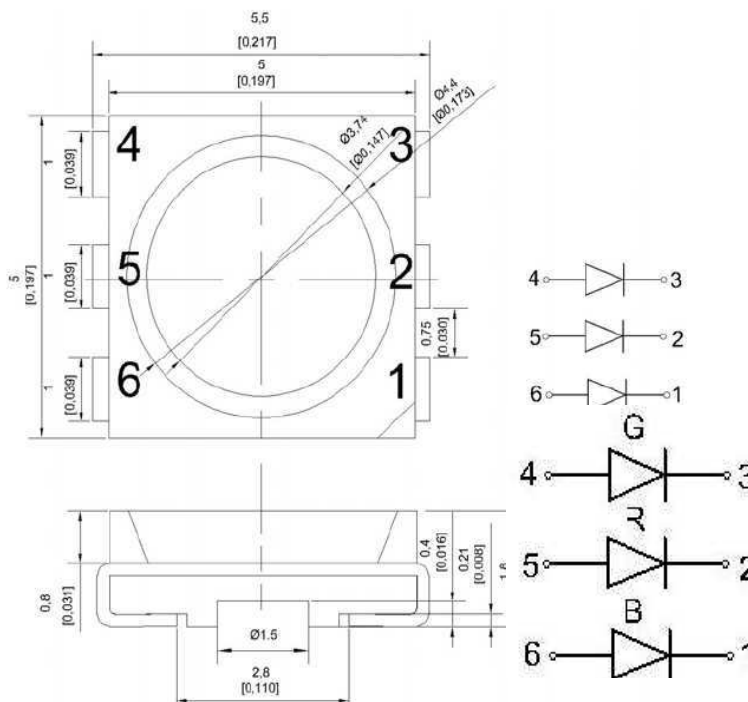
Description

The Green source color devices are made with GaP on SiC Light Emitting Diode. The Red source color devices are made with DH GaAsP/GaP on GaAs substrate Light Emitting Diode. The Blue source color devices are made with GaN on SiC Light Emitting Diode. Static electricity and surge damage the LEDs. It is recommended to use a wrist band or anti-electrostatic glove when handling the LEDs. All devices, equipment and machinery must be electrically grounded.

Features

- CHIPS CAN BE CONTROLLED SEPARATELY.
- SUITABLE FOR ALL SMT ASSEMBLY SOLDER PROCESS.
- AVAILABLE ON TAPE AND REEL.
- PACKAGE: 1000PCS / REEL.

Package Dimensions





SMD 5060 LED SERIES

Notes:

1. All dimension units are millimeters.
2. All dimension tolerance is $\pm 0.2\text{mm}$ unless otherwise noted.
3. An epoxy meniscus may extend about 1.5mm down the leads.

Selection Guide

Part. No	Lens Type	Iv(mcd)@20mA						Viewing Angle
		Green (GaP)		Red (GaAsP/GaP)		Blue (GaN)		
		Min.	Typ.	Min.	Typ.	Min.	Typ.	2 θ 1/2
OF-SMD5060RGB	Water Clear	600	900	160	250	160	250	100°

Note:

1. θ 1/2 is the angle from optical centerline where the luminous intensity is 1/2 the optical centerline value.

Electrical / Optical Characteristics at TA=25°C

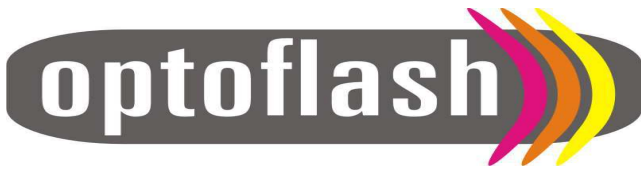
Parameter	Symbol	Condition	Red		Green		Blue		Unit
			min.	typ.	min.	typ.	min.	typ.	
Forward Voltage DC	VF	IF=3x20mA	3.0	3.2	1.6	1.9	3.0	3.2	V
Reverse Current	IR	VR=5V			5				uA
Dominant Wavelength	λ D	If=20mA	515	520	621	625	470	475	nm
Capacitance	IF(rec)	VF=0V; f=1MHz		45		35		110	pF

Absolute Maximum Ratings at TA=25°C

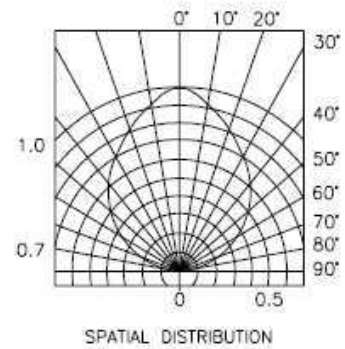
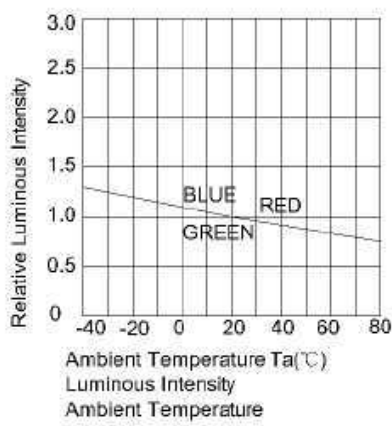
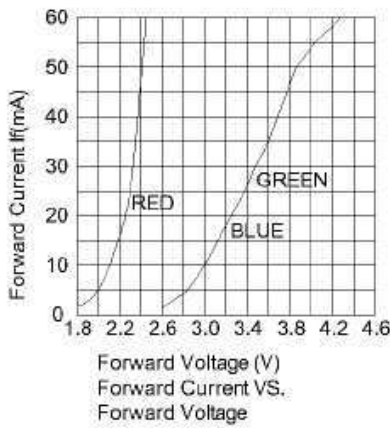
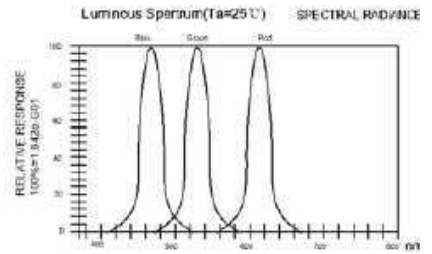
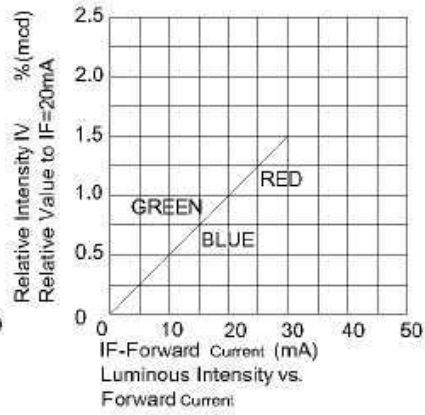
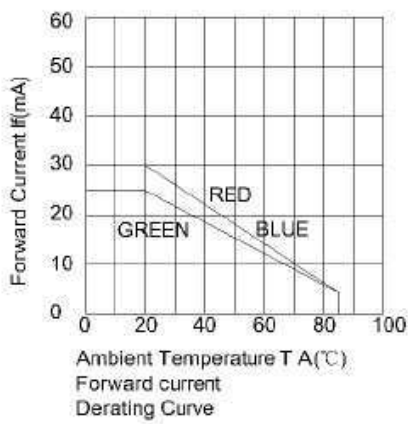
Parameter	Red	Green	Blue	Units
Power Dissipation	90	75	110	mW
DC Forward Current	25	30	30	mA
Peak Forward Current	150	185	160	mA
Reverse Voltage	5	5	5	V
Operating/Storage Temperature	-40°C to +85°C			

Note:

1. 1/10 Duty Cycle, 0.1ms Pulse Width.



SMD 5060 LED SERIES

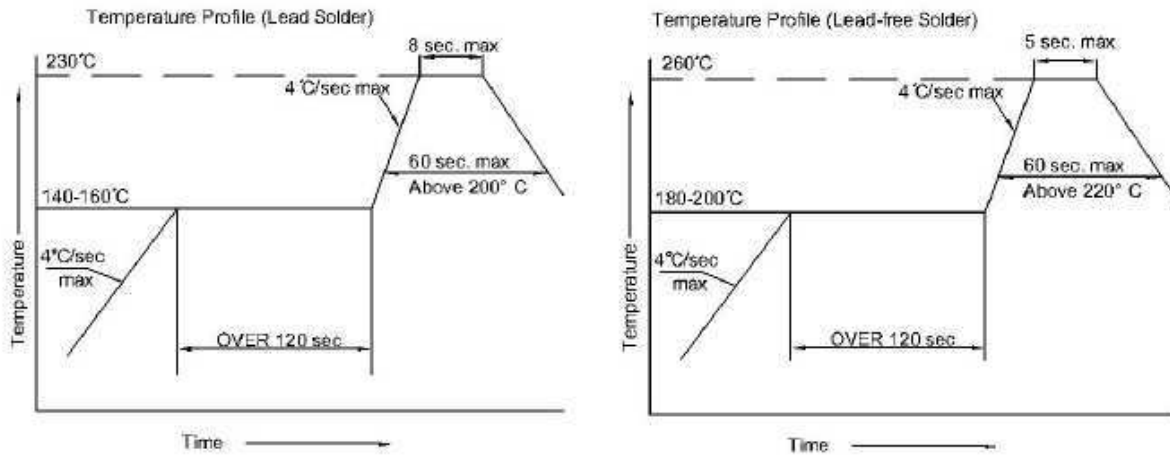


SMT Reflow Soldering Instructions

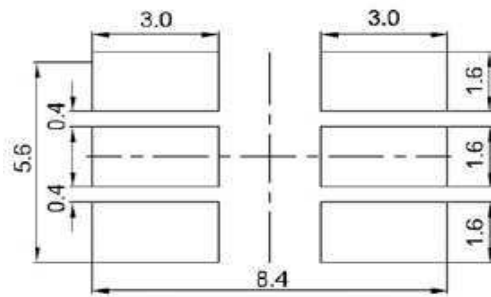
Number of reflow process shall be less than 2 times and cooling process to normal temperature is required between first end second soldering process.



SMD 5060 LED SERIES



Recommended Soldering Pattern
(Units : mm)



Tape Specifications
(Units : mm)

