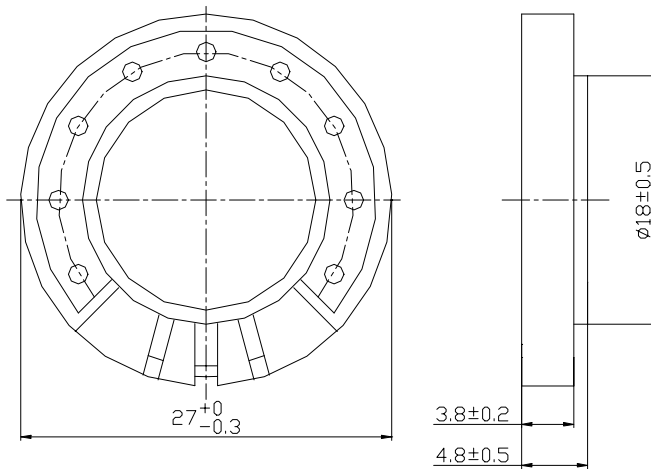


BMS-2711

1. Technical Terms

Rated Impedance (Ω)	$8 \pm 15\%$
Rated Input (W)	0.1
Maximum Input (W)	0.2
Resonant Frequency (Hz)	$500 \pm 25\%$
Rated Freq. Range (Hz)	f0 ~ 2500
Sound Pressure Level (dB)	80 ± 3
Buzzer and Rattle	Must be normal at sine wave 0.89V
Magnet (g)	1.1
Operating Temperature ($^{\circ}\text{C}$)	-10 ~ +40
Storage Temperature ($^{\circ}\text{C}$)	-10 ~ +40

2. Drawing



This print and information therein are proprietary to Bestar Electronics Industry Co., Ltd. and shall not be used in whole or in part without its written consent.

DIS.		DATE		Page:1 of 1 3rd angle projection	BMS-2711
CHEC.		DATE			Speaker
APPR.		DATE			DRG NO BS/TES01.033A
BESTAR ELECTRONICS INDUSTRY CO.,LTD TianAn Industry Park 4/F,Site B ChangZhou New District					