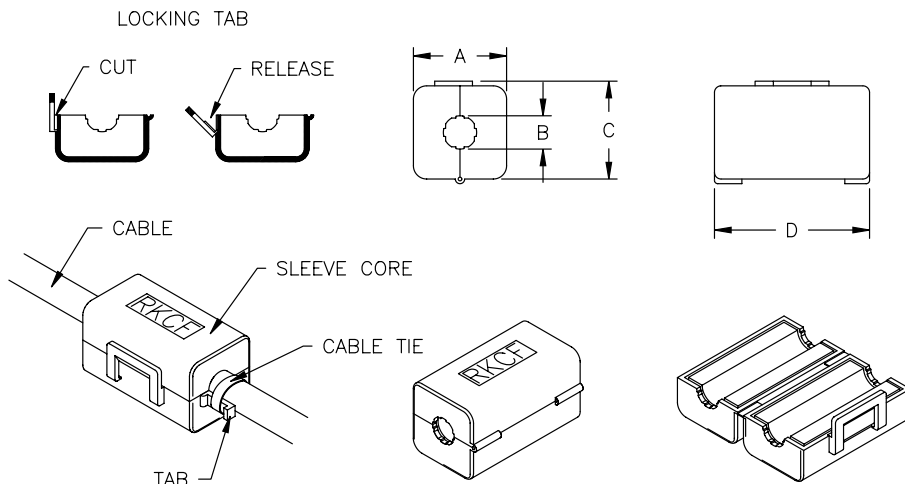


ELECTRONIC COMPONENT ACCESSORIES

RKCF Series Split Sleeve Cores with Plastic Case



Features

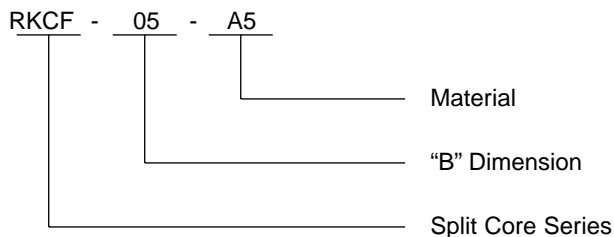
- These products are used as suppression cores for round cable and are available for a wide range of cable diameters
- Installed around a cable, these A5 material cores, attenuate any form of EMI emission
- The nylon case makes the assembly of the core have a snap. Cores are easily installed in equipment where retrofit and test are a necessity
- Impedance values are based upon a single turn measurements
- The toroidal split core can be attached to a cable that has already been wired or prefitted with connectors, permitting further protection after EMI assessment without major changes in design

For performance and mechanical data on these parts please ask for our "Ferrite Typical Data Sheet".

Part Number	Dimensions				Impedance (Ω)		Cable Diameter	Standard Pack per Bag
	"A"	"B"	"C"	"D"	100 Mhz	25 Mhz		
	RKCF-05-A5	.551 (14.0 mm)	.197 (5.0 mm)	.579 (14.7 mm)	.917 (23.3 mm)	103 Ohms		
RKCF-06-A5	.780 (19.8 mm)	.256 (6.5 mm)	.756 (19.2 mm)	1.287 (32.7 mm)	133 Ohms	308 Ohms	.217 (5.5 mm) - .256 (6.5 mm)	378
RKCF-10-A5	.913 (23.2 mm)	.400 (10.15mm)	.937 (23.8 mm)	1.283 (32.6 mm)	124 Ohms	245 Ohms	.354 (9.0 mm) - .394 (10.0 mm)	240
RKCF-13-A5	1.201 (30.5 mm)	.514 (13.05mm)	1.193 (30.3 mm)	1.287 (32.7 mm)	137 Ohms	268 Ohms	.472 (12.0 mm) - .512 (13.0 mm)	128

Impedance figures are typical values.

PART NUMBER CODE EXAMPLE



ELECTRONIC COMPONENT ACCESSORIES

RKCF Series (cont.) Split Sleeve Cores with Plastic Case

